

IPS Custom Tapered Skirt Order Form

Use Data Sheet for Non-Standard Tapered Mould Skirts Only

Please fax to 0870 479 3791

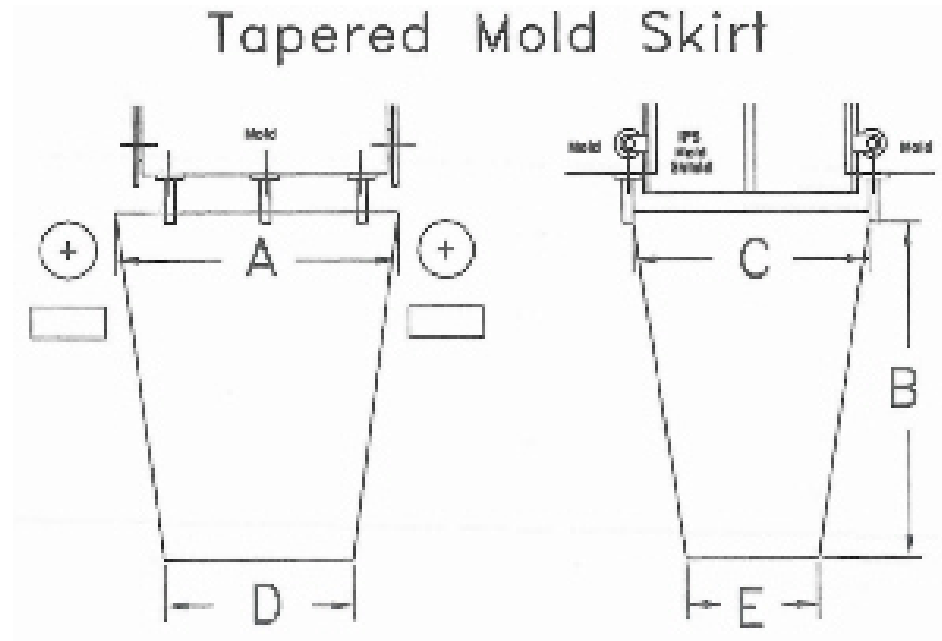
A - _____

B - _____

C - _____

D - _____

E - _____



Company _____

Tel _____

Your Name _____

A scaled sketch drawn from data provided will be returned for approval.

Please fax to 0870 479 3791